

WAUDENA[®]

sliding patio doors



CONGRATULATIONS!

SERIAL NO.

KEEP THIS DOCUMENT

The serial number is found on the sticker inside the track at the top of the frame on the fixed side.

INSTALLATION AND MAINTENANCE RECOMMENDATIONS

In order to fully benefit from the performance of this product and the manufacturer's warranties, we recommend you pay special attention to the following steps.

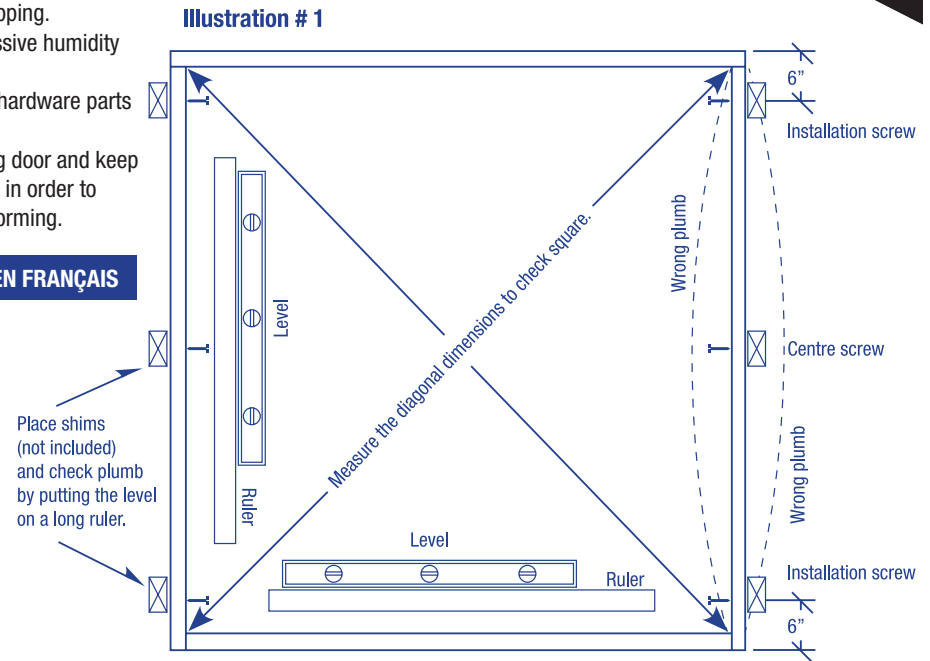
INSTALLATION

- The sill requires support over its full length to ensure it is square and level.
- Frame jambs must be level and, under no circumstance, curve inwards or outwards (refer to Illustration # 1).
- A sliding door is not designed to bear any load other than its own weight.
- Cavities found between door frame and wall opening must be appropriately filled with insulation so as not to bow the frame.
- Exterior joints found between door frame and wall opening must be carefully weatherproofed.

MAINTENANCE

- Do not paint hardware and weatherstripping.
- Protect sliding door from dirt and excessive humidity during construction work.
- Regularly clean and lubricate movable hardware parts with silicone or lithium spray.
- Ensure proper ventilation around sliding door and keep relative humidity at an acceptable level in order to prevent excessive condensation from forming.

VOIR VERSO POUR INSTRUCTIONS EN FRANÇAIS

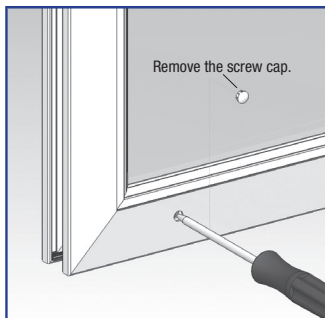


Finishing Adjustments

1



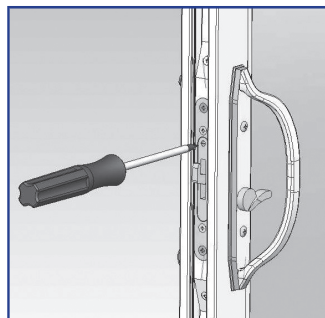
Adjusting the operating SASH ROLLERS. Tighten to lift and loosen to lower.



2



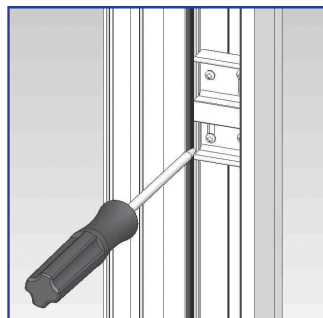
Adjusting the MECHANISM (mortise hook) to pull in sash.



3

#2

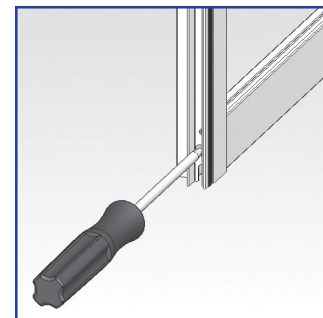
Adjusting the STRIKE PLATE. Install long screw through plate into shim.



4



Adjusting the SCREEN ROLLERS. Tighten to lift and loosen to lower.



5

#1

Adjusting the SCREEN STRIKE PLATE.

