

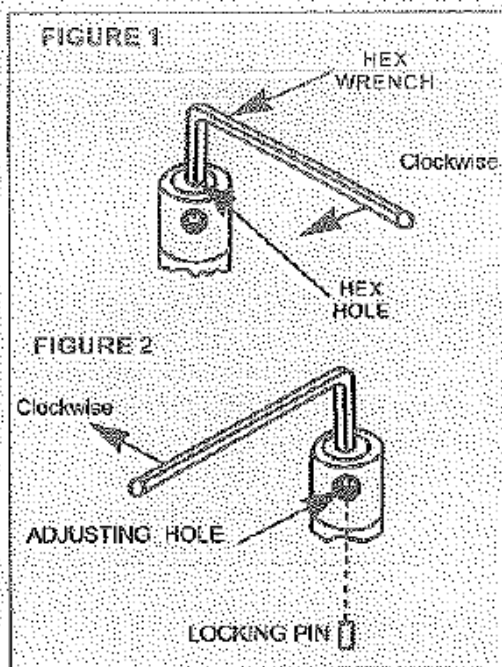
How-To

Loading & Adjusting Spring Hinges

Functional Area: Jobsite
Work Center: Install Site

Posting Date: 6/12/2014
Author: Mike Beyerl

Spring hinges are applied to entry doors in the same manner as standard hinges. Spring hinges do not get any tension applied to them until after the installation of the entry door system is complete at which time the installer is to adjust the tension to his liking.



Installation Instructions

CAUTION #1: Door should be in a closed position.

CAUTION #2: Do not adjust tension past (3) holes when a 180 degree opening is required. Do not adjust tension past (4) holes when a 90 degree opening is required.

CAUTION #3: Use proper safety protection while installing the Hager Spring Hinge.

CAUTION #4: On 3 1/2" x 3 1/2" 1150/1250 Series - Maintain Mortise Depth at .119"

CAUTION #5: Do not force.

- 1) Install spring hinge in normal manner and oriented for right hand or left hand door.
- 2) Place door in closed position.
- 3) Insert Hex Wrench In Hex Hole (Figure #1)
- 4) Rotate Hex Wrench clockwise (while viewing from the adjustment end of hinge) to increase tension (figure #2), and insert locking pin loosely in adjusting hole.
- 5) Release Hex Wrench until locking pin contacts side of adjusting hole.
- 6) Remove Hex Wrench and check the door closing force.
- 7) If closing force is not satisfactory, repeat steps 2 thru 6.

1750 SERIES

| SIZE | RECOMMENDED MAX. DOOR WEIGHT (LBS.) | BEARING HINGE | SPRING HINGE LOCATION |
|---------------|-------------------------------------|---------------|-----------------------|
| 3 1/2 x 3 1/2 | 45 | 2 | 1 CENTER |
| 4 x 4 | 70 | 1 | 2 CENTER/BOTTOM |
| | 90 | - | 3 ALL |

1150/1250 SERIES

| SIZE | RECOMMENDED MAX. DOOR WEIGHT (LBS.) | BEARING HINGE | SPRING HINGE LOCATION |
|---------------|-------------------------------------|---------------|-----------------------|
| 3 1/2 x 3 1/2 | 60 | 2 | 1 CENTER |
| 4 x 4 | 85 | 1 | 2 CENTER/BOTTOM |
| | 110 | - | 3 ALL |
| 4 1/2 x 4 | 70 | 2 | 1 CENTER |
| 4 1/2 x 4 1/2 | 115 | 1 | 2 CENTER/BOTTOM |
| | 130 | - | 3 ALL |